

Positive-temperature vertical and semi-vertical cabinets

# Lion Cub

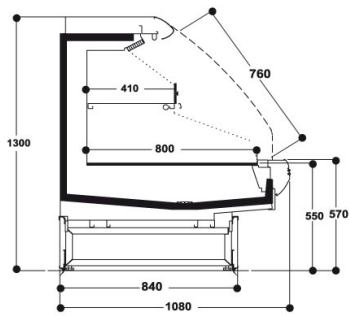




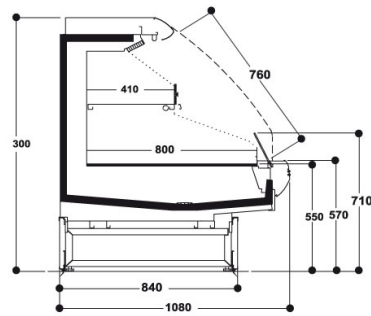
**Lion Cub**

|      | 125 | 187 | 250 | 375 | MT2170 R | MT2390 S | MAA<br>45°-90° | MAC<br>45° |
|------|-----|-----|-----|-----|----------|----------|----------------|------------|
| 1300 | •   | •   | •   | •   | •        | •        | •              | •          |
| 1500 | •   | •   | •   | •   | •        | •        | •              | •          |

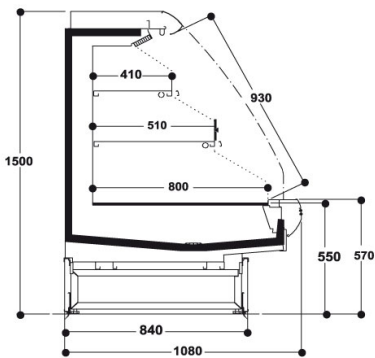
**H 1300**



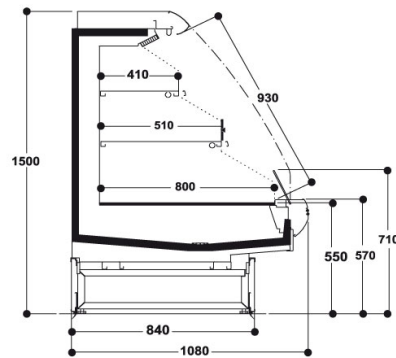
**H 1300 G**



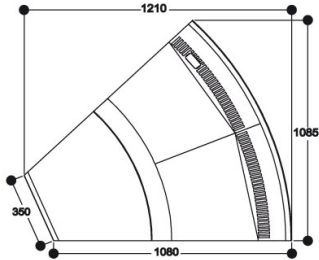
**H 1500**



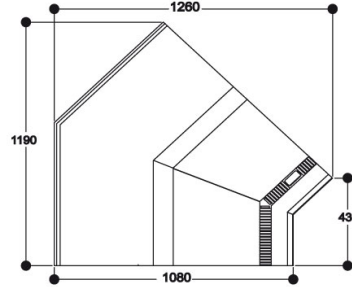
**H 1500 G**



MAA 45°



MAC 45°



MAA 90°

